

AXL F SGI2 1H - Analog module



2702911

<https://www.phoenixcontact.com/pc/products/2702911>

Please be informed that the data shown in this PDF document is generated from our online catalog. Please find the complete data in the user documentation. Our general terms of use for downloads are valid.



Axioline F, Strain gauge capture module, transmission speed in the local bus: 100 Mbps, degree of protection: IP20, including bus base module and Axioline F connectors

Product description

The module is designed for use within an Axioline F station. Used to evaluate strain gauges that may be located in weighing cells or load cells, for example. You can connect the strain gauges using 6- or 4-conductor technology.

Your advantages

- 2 high-precision inputs for strain gauges
- Measuring ranges adjusted with nominal characteristic values upon delivery
- Manual entry of characteristic values
- Process data update can be parameterized in increments between 200 μ s and 100 ms
- Path adjustment in the process environment
- 2-point adjustment
- Connection of strain gauges in 6- and 4-conductor technology
- Advanced wire-break detection
- Sensor supply of up to 115 mA (8 load cells with 350 Ω per channel)
- Per channel: low-resistance, floating N/O contact
- The channels are parameterized independently of one another via the bus system
- Tara device

Commercial data

Item number	2702911
Packing unit	1 pc
Minimum order quantity	1 pc
Product key	DRI244
Catalog page	Page 95 (C-6-2019)
GTIN	4055626459288
Weight per piece (including packing)	186.2 g
Weight per piece (excluding packing)	181.5 g
Customs tariff number	85389091
Country of origin	DE

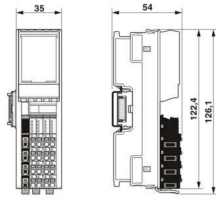
AXL F SGI2 1H - Analog module

2702911

<https://www.phoenixcontact.com/pc/products/2702911>

Technical data

Dimensions

Dimensional drawing	
Width	35 mm
Height	126.1 mm
Depth	54 mm
Note on dimensions	The depth applies when a TH 35-7.5 DIN rail is used (in accordance with EN 60715).

Notes

Note on application	
Note on application	Only for industrial use

Interfaces

Axioline F local bus	
Number of interfaces	2
Connection method	Bus base module
Transmission speed	100 Mbps

System properties

Module	
ID code (hex)	none
Input address area	12 Byte
Output address area	12 Byte
Required parameter data	48 Byte
Required configuration data	7 Byte

Input data

Analog	
Description of the input	Input channels for strain gauge
Number of inputs	2
Connection technology	6 or 4-wire, twisted pair shielded cable
Bridge difference U_d	Measuring range specified by selecting the characteristic -35 mV ... +35 mV
Bridge voltage U_0	5 V

AXL F SGI2 1H - Analog module



2702911

<https://www.phoenixcontact.com/pc/products/2702911>

Measured value representation	32 bits
Characteristics	can be parameterized: 350 μ V/V ... 6500 μ V/V

Contacts

Description	Floating N/O contact
Quantity	2 (K _{a1} -K _{b1} , K _{a2} -K _{b2})
Contact resistance	< 1 Ω (typical) < 3 Ω (maximum)
Typical response time	typ. 0.2 ms (opening) typ. 2 ms (close)

Output data

Analog

Output description	Jumper supply
Number of outputs	2
Impedance	> 43 Ω (per channel)
Output voltage	typ. 5 V
Output current	max. 115 mA (per channel)

Product properties

Product type	I/O component
Product family	Axioline F
Type	block modular
Mounting position	any (no temperature derating)
Scope of delivery	including bus base module and Axioline F connectors
Operating mode	Process data mode with 6 words

Electrical properties

Maximum power dissipation for nominal condition	1.85 W
---	--------

Potentials: Axioline F local bus supply (U_{Bus})

Supply voltage	5 V DC (via bus base module)
Current draw	max. 75 mA typ. 65 mA

Potentials: Supply for analog modules (U_A)

Supply voltage	24 V DC
Supply voltage range	19.2 V DC ... 30 V DC (including all tolerances, including ripple)
Current draw	typ. 110 mA (with maximum load: 8 weighing cells with 350 Ω per channel) typ. 25 mA (with typical load: 1 weighing cell with 350 Ω , only one channel loaded) typ. 55 mA (with maximum load: 8 weighing cells with 350 Ω , only one channel loaded)
Protective circuit	Surge protection; Suppressor diode Reverse polarity protection; Polarity protection diode

AXL F SGI2 1H - Analog module



2702911

<https://www.phoenixcontact.com/pc/products/2702911>

Electrical isolation/isolation of the voltage ranges

Test voltage: Logic	500 V AC, 50 Hz, 1 min
Test voltage: 24 V supply (I/O)	500 V AC, 50 Hz, 1 min
Test voltage: Analog inputs	500 V AC, 50 Hz, 1 min
Test voltage: N/O contact K _{a1} - K _{b1}	500 V AC, 50 Hz, 1 min
Test voltage: N/O contact K _{a2} - K _{b2}	500 V AC, 50 Hz, 1 min
Test voltage: Functional ground	500 V AC, 50 Hz, 1 min

Connection data

Connection technology

Connection name	Axioline F connector
Note on the connection method	Please observe the information provided on conductor cross sections in the "Axioline F: system and installation" user manual. Applications with UL approval: only use copper conductors.

Conductor connection

Connection method	Push-in connection
Conductor cross section rigid	0.2 mm ² ... 1.5 mm ²
Conductor cross section flexible	0.2 mm ² ... 1.5 mm ²
Conductor cross section AWG	24 ... 16
Stripping length	8 mm

Axioline F connector

Connection method	Push-in connection
Note on the connection method	Please observe the information provided on conductor cross sections in the "Axioline F: system and installation" user manual. Applications with UL approval: only use copper conductors.
Conductor cross section, rigid	0.2 mm ² ... 1.5 mm ²
Conductor cross section, flexible	0.2 mm ² ... 1.5 mm ²
Conductor cross section AWG	24 ... 16
Stripping length	8 mm

Environmental and real-life conditions

Ambient conditions

Ambient temperature (operation)	-25 °C ... 60 °C
Degree of protection	IP20
Air pressure (operation)	70 kPa ... 106 kPa (up to 3000 m above sea level)
Air pressure (storage/transport)	70 kPa ... 106 kPa (up to 3000 m above sea level)
Ambient temperature (storage/transport)	-40 °C ... 85 °C
Permissible humidity (operation)	5 % ... 95 % (non-condensing)
Permissible humidity (storage/transport)	5 % ... 95 % (non-condensing)

Standards and regulations

Protection class	III (IEC 61140, EN 61140, VDE 0140-1)
------------------	---------------------------------------

AXL F SGI2 1H - Analog module

2702911

<https://www.phoenixcontact.com/pc/products/2702911>



Mounting

Mounting type	DIN rail mounting
Mounting position	any (no temperature derating)

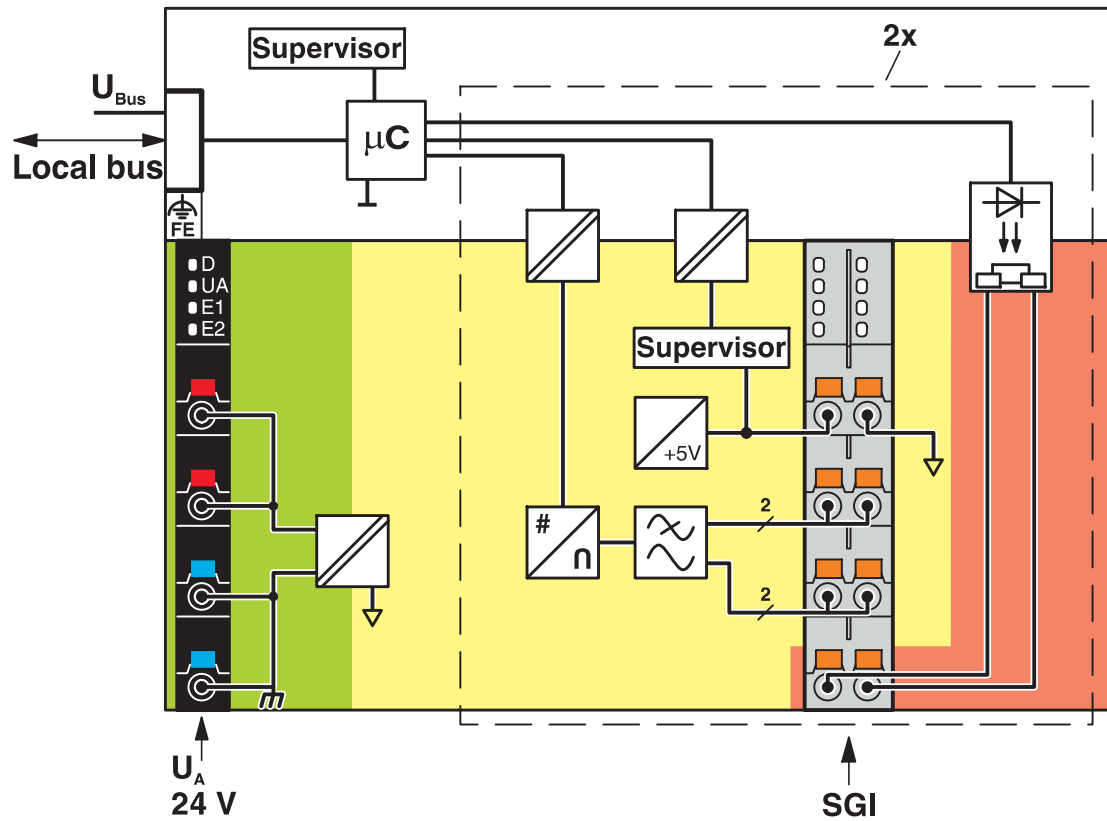
AXL F SGI2 1H - Analog module

2702911

<https://www.phoenixcontact.com/pc/products/2702911>

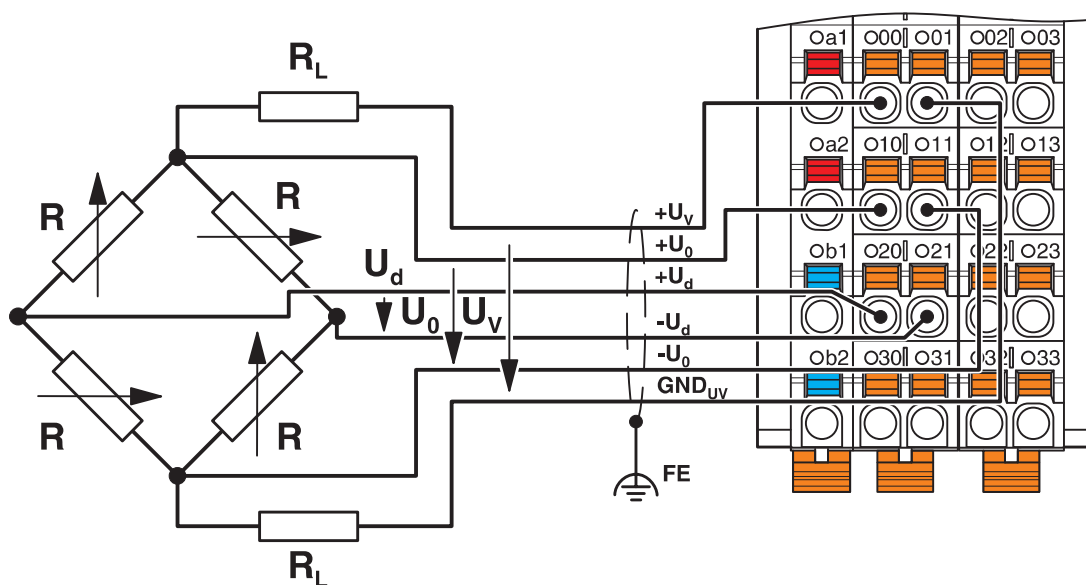
Drawings

Block diagram



Internal wiring of the terminal points

Connection diagram



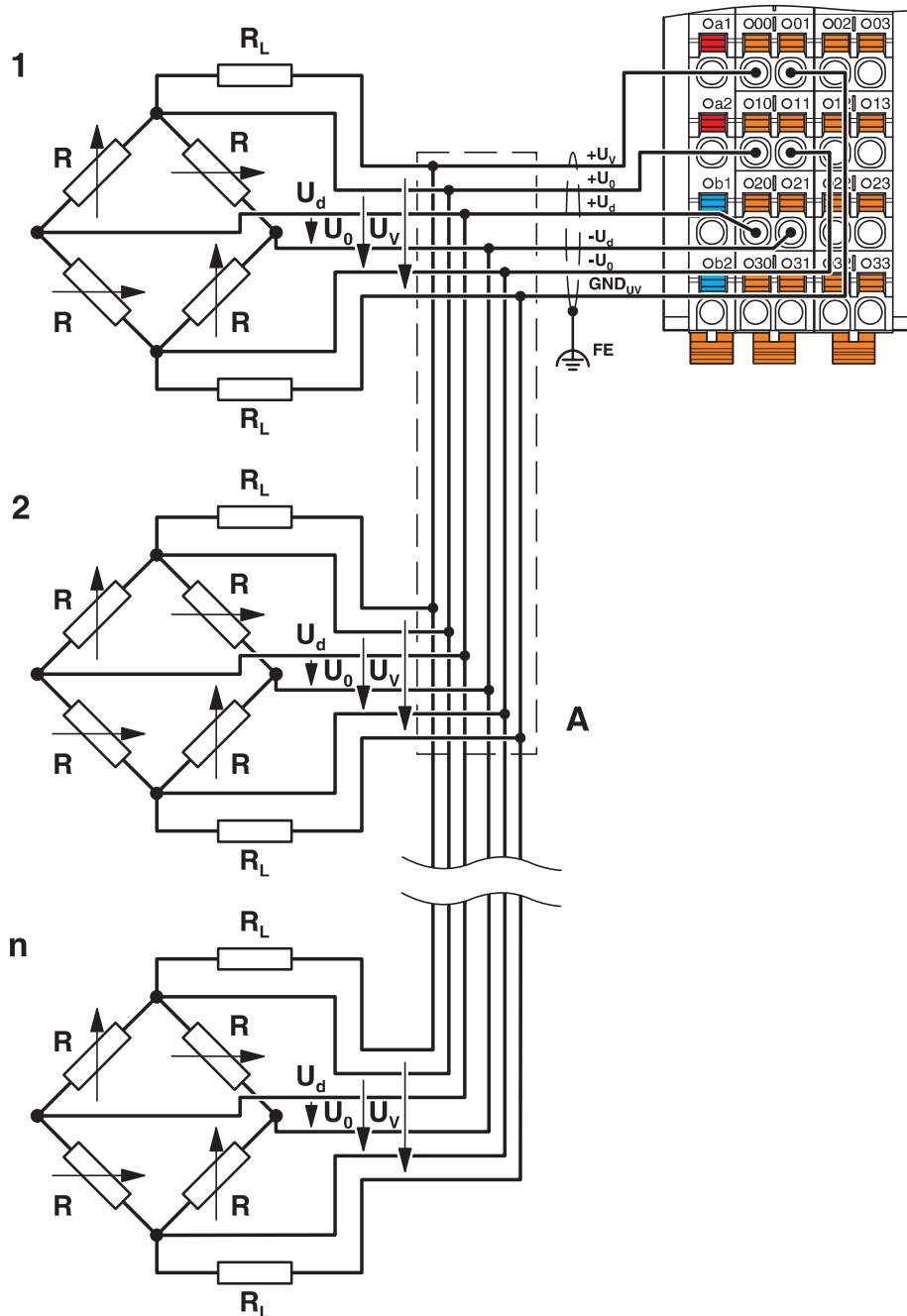
AXL F SGI2 1H - Analog module

2702911

<https://www.phoenixcontact.com/pc/products/2702911>



Connection diagram



Connection of several strain gauges in 6-conductor technology

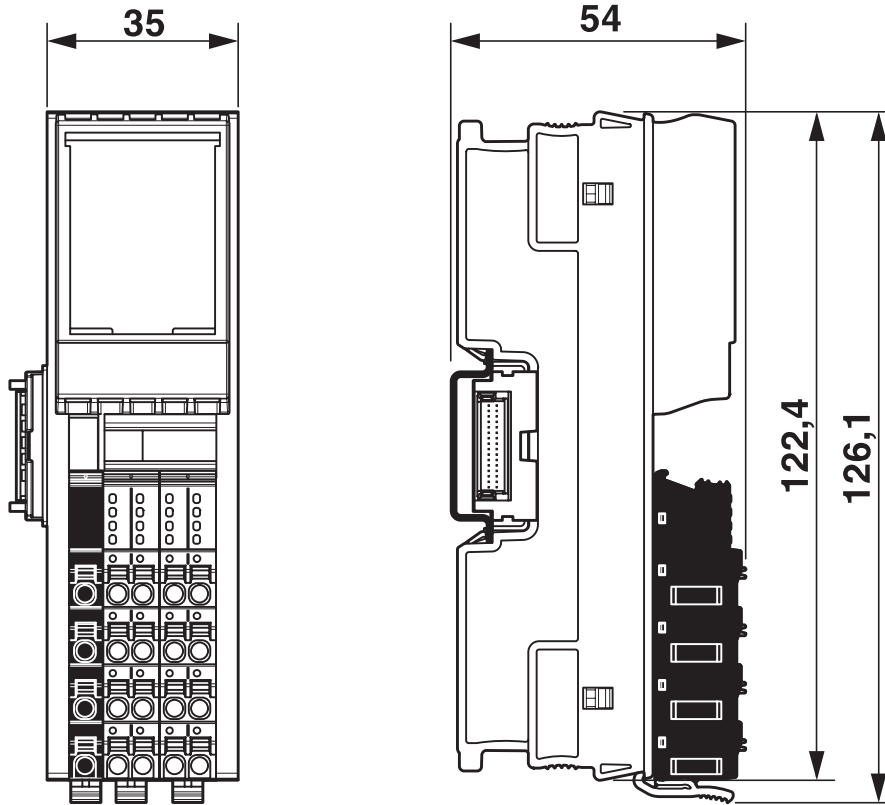
AXL F SGI2 1H - Analog module

2702911

<https://www.phoenixcontact.com/pc/products/2702911>



Dimensional drawing



AXL F SGI2 1H - Analog module



2702911

<https://www.phoenixcontact.com/pc/products/2702911>

Approvals

To download certificates, visit the product detail page: <https://www.phoenixcontact.com/pc/products/2702911>



cULus Listed

Approval ID: E238705

UAE-RoHS

Approval ID: 23-02-63243

AXL F SGI2 1H - Analog module



2702911

<https://www.phoenixcontact.com/pc/products/2702911>

Classifications

ECLASS

ECLASS-11.0	27242601
ECLASS-12.0	27242601
ECLASS-13.0	27242601

ETIM

ETIM 9.0	EC001596
----------	----------

UNSPSC

UNSPSC 21.0	32151600
-------------	----------

AXL F SGI2 1H - Analog module



2702911

<https://www.phoenixcontact.com/pc/products/2702911>

Environmental product compliance

EU RoHS

Fulfills EU RoHS substance requirements	Yes
Exemption	7(a), 7(c)-I

China RoHS

Environment friendly use period (EFUP)	EFUP-50
	An article-related China RoHS declaration table can be found in the download area for the respective article under "Manufacturer declaration". For all articles with EFUP-E, no China RoHS declaration table issued and required.

EU REACH SVHC

REACH candidate substance (CAS No.)	Lead(CAS: 7439-92-1)
SCIP	08552bd1-fe4e-4dc3-840d-be3298024436

Phoenix Contact 2025 © - all rights reserved

<https://www.phoenixcontact.com>

PHOENIX CONTACT GmbH & Co. KG

Flachsmarktstraße 8

D-32825 Blomberg

+49 (0) 5235-3 00

info@phoenixcontact.com