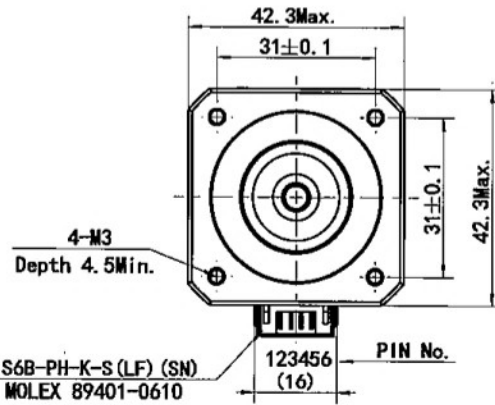
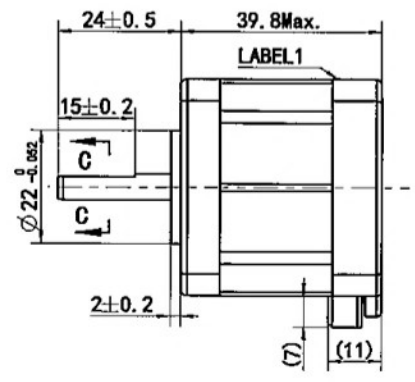
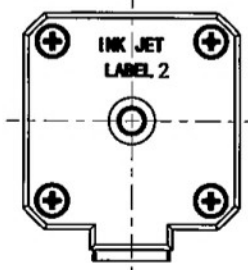
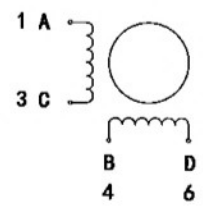


# MS17HA2P4100



接线图  
Wiring Diagram

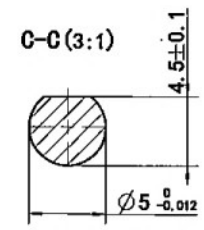


励磁顺序VS. 旋转方向  
Exciting Sequence vs. Direction of Rotation

STEP	A	B	C	D	CCW
1	+	+	-	-	↑
2	-	+	+	-	
3	-	-	+	+	
4	+	-	-	+	

从安装面看为顺时针方向  
Clockwise view from mounting side

1. 相数 Number of Phase	2
2. 步距角 Step Angle	0.9°
3. 额定电压 Rated Voltage	3.9 V DC
4. 额定电流 Rated Current	1 Amp
5. 保持力矩 Holding Torque	0.39 Nm Typ. (Two phase on/rated current)
6. 相电阻 Phase Resistance	3.9 ohm ±10% (20°C)
7. 相电感 Phase Inductance	11.2 mH ±20% (1kHz 1V rms)
8. 转子惯量 Rotor Inertia	57 gcm <sup>2</sup>
9. 电机重量 Motor Weight	0.28 kg
10. 绝缘等级 Insulation Class	B (130°C)



铭牌1 Label1 Detail

MOONS' STEPPING MOTOR  
Insulation: Class B, 60VDC Max.  
1.0 Amps Holding: 0.39 Nm  
3000RPM Max. **RAUS**  
UL FILE No. E465363 XXX

Factory ID  
工厂代码

铭牌2 Label2 Detail

TYPE MS17HA2P4100  
XXXXXXXX YY/MM/DD

Work Order 加工单号  
Date Format 日期格式

受控文件  
日期 2023-09-19  
鸣志电器(太仓)有限公司

REV.	版本记录 REVISION RECORD	DATE	UNLESS OTHERWISE SPECIFIED	NAMES	SIGNATURE	DATE
B1	ECR:23-317, There are two positions	2023.03.28				
B0	无UL铭牌Update nameplate	2017.04.24				
A0	原始版本 Original revision	2016.09.29				

Unit:mm  
第一角画法  
First angle method  
未注线性与角度尺寸公差  
Tolerances for linear and angular dimensions without individual tolerance indications  
GB/T 1804-m eqv ISO 2768-1:m  
未注形状与位置尺寸公差  
Geometrical tolerance for features without individual tolerance indications  
GB/T 1184-K eqv ISO 2768-2:K

批准 Approve	
标准化 Standardize	
工艺 Process Review	
审核 Check	
设计 Design	



This document is released for information only. Its reproduction in whole or in part or its dissemination to third parties is prohibited. All trademarks and registered trademarks appearing on this document are the property of their respective owners.