

Basic Multifunction Power Meter DPM-C510

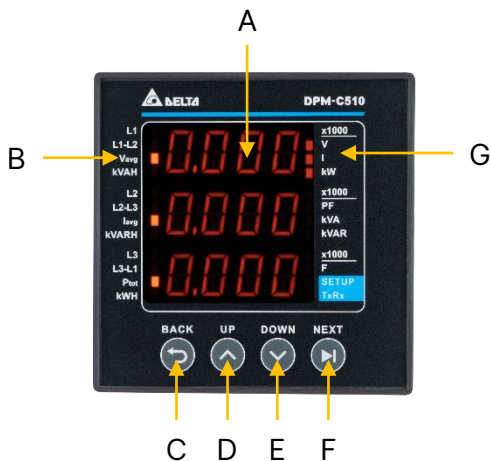
The Delta DPM-C510 is a basic multifunction power meter that provides real-time measurement of multiple electrical parameters and supports flexible single-phase and three-phase wiring configurations. Designed for a wide range of power distribution and monitoring applications, the DPM-C510 features a built-in RS-485 communication interface with Modbus RTU protocol support, enabling integration with control systems for basic remote power monitoring and energy management.



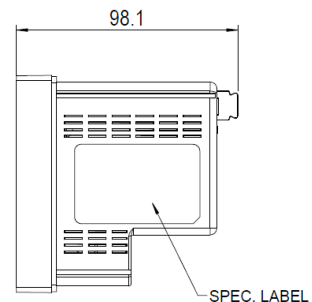
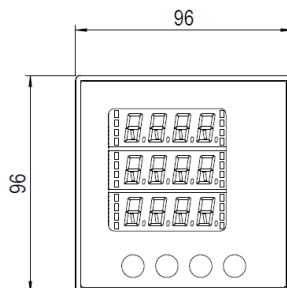
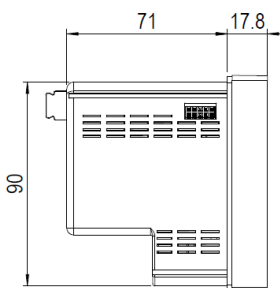
Features

- **Multiple Electrical Parameter Measurement:** Supports measurement of essential electrical parameters, including voltage, current, power, energy, frequency, and power factor.
- **Flexible Wiring Configuration:** Supports 1P2W, 1P3W, 3P3W, and 3P4W power systems, simplifying installation and reducing material preparation across different application sites.
- **Communication & System Integration:** Equipped with an RS-485 communication interface and Modbus RTU protocol support, enabling data communication and integration with PLC, SCADA, and EMS systems.

Appearance & Dimensions



No.	Name
A	Display Value
B	Display Item
C	BACK Button
D	UP Button
E	DOWN Button
F	NEXT Button
G	Unit / Indicator LED



Technical Specifications

Model	DPM-C510
Measurement Accuracy	
Current	± 0.5%
Voltage	± 0.5%
Active Energy	± 0.5%
Reactive Energy	± 2%
Apparent Energy	± 2%
Active Power	± 0.5%
Reactive Power	± 2%
Apparent Power	± 2%
Power Factor	± 0.5%
Frequency	± 1%
Input Characteristics	
Measuring System Type	1P2W, 1P3W, 3P3W, 3P4W
Voltage	80 ~ 690 VAC (L-L); 50 ~ 400 VAC (L-N)
Current	1 A / 5 A
Frequency	50/60 Hz
Control Power	AC: 100 ~ 240 V (Max. Power Consumption 4.6 W); DC: 100 ~ 300 V
Communication	
Protocol (Interface)	Modbus RTU (RS-485)
Mechanical Characteristics	
IP Protection	IP52 (Front Display, IP20 (Meter Body))
Dimensions (W x H x D, mm)	96 x 96 x 98.1
Weight (g)	350
Environmental Characteristics	
Temperature	-20 ~ +60°C (Operating), -30 ~ +70°C (Storage)
Relative Humidity	~ 95% RH
Altitude	Below 2,000 meters
Electromagnetic Compatibility	
Electrostatic Discharge	IEC 61000-4-2
Immunity to Radiated Fields	IEC 61000-4-3
Immunity to Fast Transients	IEC 61000-4-4
Immunity to Impulse Waves	IEC 61000-4-5
Conducted Immunity	IEC 61000-4-6
Immunity to Magnetic Fields	IEC 61000-4-8
Immunity to Voltage Dips	IEC 61000-4-11
Radiated Emissions	FCC Part 15 EN 55011 Class A
Conducted Emissions	FCC Part 15 EN 55011 Class A
Harmonics Emissions	IEC 61000-3-2
Flicker Emissions	IEC 61000-3-3
Certification	
Safety	UL / CE

Industrial Automation Headquarters

Delta Electronics, Inc.

Taoyuan Technology Center

No.18, Xinglong Rd., Taoyuan District, Taoyuan City 33068, Taiwan

TEL: +886-3-362-6301 | FAX: +886-3-371-6301

DELTA-IA-DPM_DPM-510_Datasheet_EN_20260120

