

B64G - Olympian Plus plug-in system Filter/regulator



- Port size: 1/4" ... 3/4" (ISO G/PTF)
- High efficiency water removal
- Diaphragm and balanced valve design ensure good regulation characteristics
- Non-rising adjusting knob has snap-action lock
- Quick release bayonet bowl



Technical features

Medium:

Compressed air only

Maximum operating pressure:

17 bar (246 psi)

Pressure range:

(standard)
0,3 ... 10 bar (4 ... 145 psi)
(optional)
0,4 ... 4 bar (5 ... 58 psi),
0,7 ... 17 bar (10 ... 246 psi)

Filter element:

5 or 40 µm

Port sizes:

1/4", 3/8", 1/2" or 3/4"

Gauge port:

1/8 PTF with PTF main ports
Rc1/8 with ISO G main ports

Drain:

Manual or automatic

Automatic drain conditions:

Pressure to close drain:
> 0,3 bar (4.3 psi)
Pressure to open drain:
< 0,2 bar (2.9 psi)
Minimum air flow to close drain:
0,6 dm³/s (1.3 scfm)

Relieving:

With (standard)
Non-relieving (optional)

Bowl size:

0,2 litre (7 fluid oz)

Standard compliances:

II 2G Ex h IIC T6 Gb
II 2D Ex h IIIC T85° Db

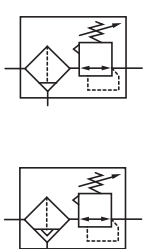
Ambient/Media temperature:

-20° ... +80°C (-4° ... +176°F)
Version with gauge:
-20° ... +65°C (-4° ... +149°F)
Air supply must be dry enough to avoid ice formation at temperatures below +2°C (+35°F).

Materials:

Body and yoke: Zinc alloy
Connection piece: Aluminium
Metal bowl: Aluminium
Prismatic liquid level indicator: Grilamid
Filter element: Sintered plastic
Adjusting knob: Acetal resin
Elastomers: NBR

Technical data, standard models

Symbol	Port size	Size	Pressure range (bar)	Filter element (µm)	Flow * (dm ³ /s)	Bowl	Drain	Weight (kg)	Model
	G1/4	—	0,3 ... 10	40	30	Metal	Manual	1,71	B64G-2GK-MD3-RMN
	G3/8	—	0,3 ... 10	40	76	Metal	Manual	1,69	B64G-3GK-MD3-RMN
	G1/2	Basic	0,3 ... 10	40	106	Metal	Manual	1,66	B64G-4GK-MD3-RMN
	G3/4	—	0,3 ... 10	40	106	Metal	Manual	2,02	B64G-6GK-MD3-RMN
	Without yoke	—	0,3 ... 10	40	—	Metal	Manual	1,24	B64G-NNK-MD3-RMN
	G1/4	—	0,3 ... 10	40	30	Metal	Automatic	1,71	B64G-2GK-AD3-RMN
	G3/8	—	0,3 ... 10	40	76	Metal	Automatic	1,69	B64G-3GK-AD3-RMN
	G1/2	Basic	0,3 ... 10	40	106	Metal	Automatic	1,66	B64G-4GK-AD3-RMN
	G3/4	—	0,3 ... 10	40	106	Metal	Automatic	2,02	B64G-6GK-AD3-RMN
	Without yoke	—	0,3 ... 10	40	—	Metal	Automatic	1,26	B64G-NNK-AD3-RMN

* Typical flow with 10 bar (145 psi) inlet pressure, and 6,3 bar (91 psi) set pressure and 1 bar (14.5 psi) drop from set.

Option selector

B64G-***-★D★-***

Port size	Substitute
1/4"	2
3/8"	3
1/2"	4
3/4"	6
Without yoke	N
Threads form	Substitute
PTF	A
ISO G (standard)	G
Without yoke (standard)	N
Adjustment	Substitute
Knob (standard)	K
T-bar (0,7 ... 17 bar)	T *2)
Drain	Substitute
Automatic	A
Manual	M

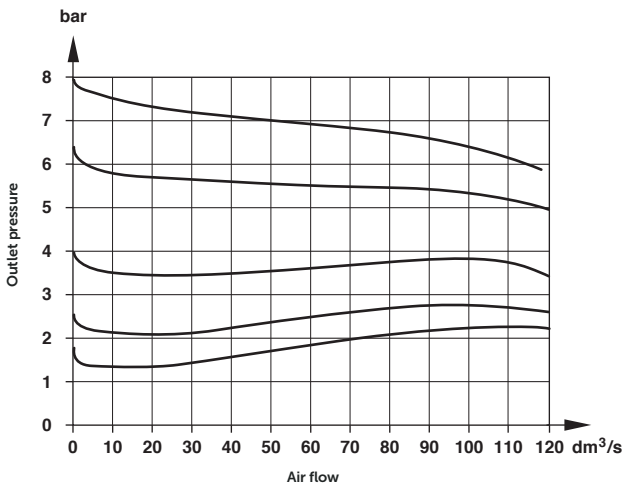
Gauge	Substitute
With	G
Without (standard)	N
Pressure range (bar) *1)	Substitute
0,3 ... 10 (standard)	M
0,3 ... 4	F
0,7 ... 17	S *2)
Diaphragm	Substitute
Relieving (standard)	R
Non-relieving	N
Filter element	Substitute
5 µm	1
40 µm (standard)	3

*1) Outlet pressure can be adjusted to pressures in excess of and less than, those specified. Do not use these units to control pressures outside of the specified ranges.

*2) Units with 17 bar (246 psi) outlet pressure range are available only with the T-bar adjustment; therefore substitute T at the 7th digit and S at the 9th position.

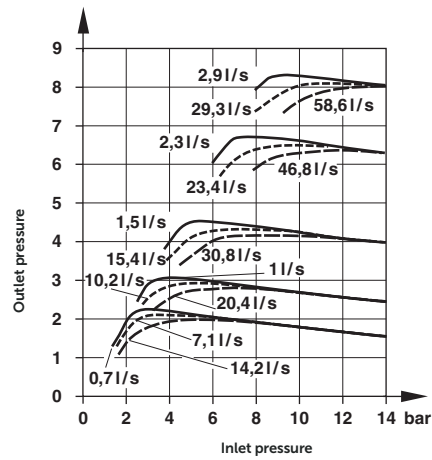
Flow characteristics

Inlet pressure: 10 bar, port size: 1/2", filter element: 40 µm
Pressure range: 0,3 ... 10 bar



Regulating characteristics


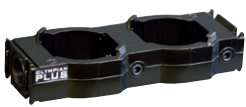




Port size: 1/2"








Accessories, service kit and gauges





Accessories

	Models with G-thread Single yoke	Double yoke	3/2 Shut-off valve Threaded inlet only	Threaded outlet only	End connector kit	Rear entry bracket kit
						
Thread	5				2	8
G1/4	Y64A-2GA-N1N	Y64A-2GA-N2N	T64T-2GB-P1N	T64T-2GC-P1N	—	—
G3/8	Y64A-3GA-N1N	Y64A-3GA-N2N	T64T-3GB-P1N	T64T-3GC-P1N	—	—
G1/2	Y64A-4GA-N1N	Y64A-4GA-N2N	T64T-4GB-P1N	T64T-4GC-P1N	74505-50	—
G3/4	Y64A-6GA-N1N*	Y64A-6GA-N2N*	T64T-6GB-P1N	T64T-6GC-P1N	74505-53	18-026-981
1/4 PTF	Y64A-2AA-N1N	Y64A-2AA-N2N	T64T-2AB-P1N	T64T-2AC-P1N	—	—
3/8 PTF	Y64A-3AA-N1N	Y64A-3AA-N2N	T64T-3AB-P1N	T64T-3AC-P1N	—	—
1/2 PTF	Y64A-4AA-N1N	Y64A-4AA-N2N	T64T-4AB-P1N	T64T-4AC-P1N	74505-52	—
3/4 PTF	Y64A-6AA-N1N*	Y64A-6AA-N2N*	T64T-6AB-P1N	T64T-6AC-P1N	74505-55	—

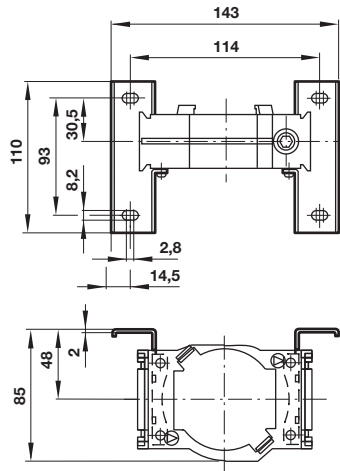
*These yokes are supplied with two end connector kits as standard.

Bracket mounting	Nut	Tamper resistant cap & seal wire	Yoke connector kit	Porting block	Padlock with two keys
					
1	4	3	9		
74504-50	74502-89	4355-51	74503-51	74507-50	0613633 (brass)

Service kit

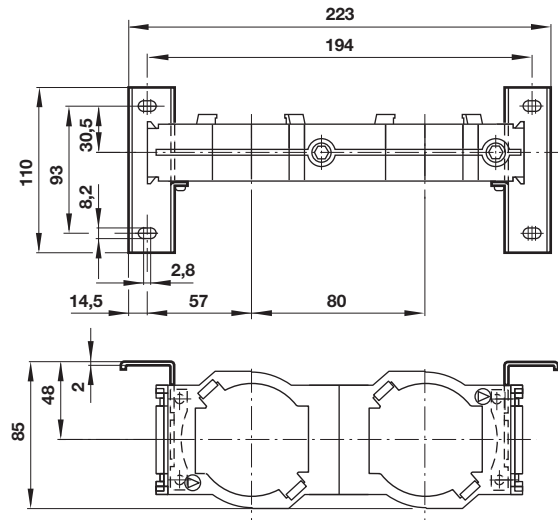
Service kit, manual drain	Service kit, automatic drain
	
B64G-KITM05R (5 µm)	B64G-KITA05R (5 µm)
B64G-KITM40R (40 µm)	B64G-KITA40R (40 µm)

Single yoke with bracket mounting

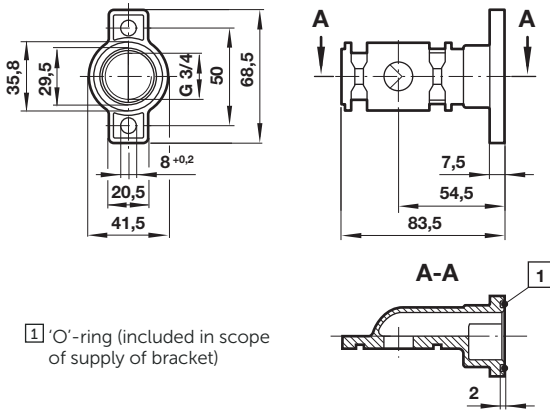


Double yoke with bracket mounting

Dimensions in mm
Projection/First angle

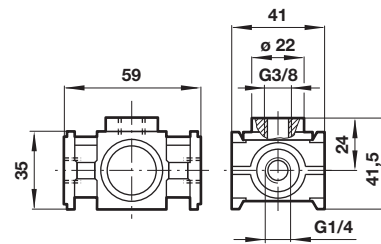


Rear entry bracket 18-026-981



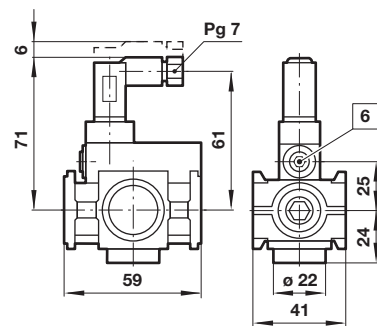
1 O'-ring (included in scope of supply of bracket)

Porting block 74507-50



Adjustable pressure switch 4346-99

Voltage	24 V d.c./240 V a.c.
Current	0,5 A (d.c.); 5 A (a.c.)
Pressure range	2 ... 10 bar
Repeatability	2% of full set point range at 20°C
Average deadband	0,8 ... 1,7 bar
Electrical connection (corresponding to choosen coil)	EN 175301-803 - Form C, 15 mm
Degee of protection:	IP65
Adjustable	Standard
Material	Body: Aluminium, Elastomers: NBR

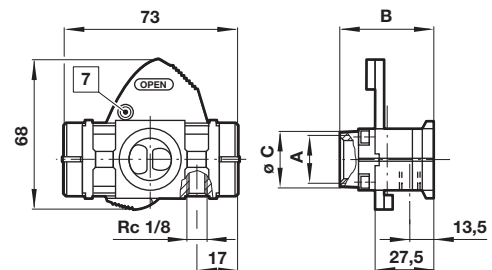


6 Adjusting screw

3/2 Shut-off valve

Symbol	A	B	ø C	Model
	G1/4	48	27	T64T-2G*-P1N
	G3/8	48	27	T64T-3G*-P1N
	G1/2	48	27	T64T-4G*-P1N
	G3/4	51	33	T64T-6G*-P1N

* B = Threaded inlet only, C = Threaded outlet only



7 Padlock hole ø7,5 mm

Warning

These products are intended for use in industrial compressed air systems only. Do not use these products where pressures and temperatures can exceed those listed under »**Technical features/data**«.

Before using these products with fluids other than those specified, for non-industrial applications, life-support systems or other applications not within published specifications, consult Norgren Ltd.

Through misuse, age, or malfunction, components used in fluid power systems can fail in various modes.

The system designer is warned to consider the failure modes of all component parts used in fluid power systems and to provide adequate safeguards to prevent personal injury or damage to equipment in the event of such failure.

System designers must provide a warning to end users in the system instructional manual if protection against a failure mode cannot be adequately provided.

System designers and end users are cautioned to review specific warnings found in instruction sheets packed and shipped with these products.